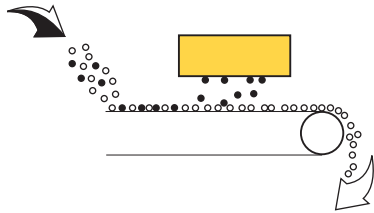


SMP



SMP series of permanent suspension magnets use ceramic strontium ferrite magnets to separate tramp iron from non-magnetic materials. They protect various machinery including hydro cones, crushers, press mills, and other production line equipment from damage and wear caused by tramp iron contamination.

Feature and Applications

The SMP magnet is typically suspended over material conveyors, vibration feeders, or chute ducts using four adjustable wire ropes. It is hung 50–70 mm above the top surface of the material on the belt. The distance between the magnet and the material can be precisely adjusted using turnbuckles. The type, shape, and size of the ferrite segments affect separation efficiency. Separating small parts, especially those with cubic or spherical shapes, is much more difficult to accomplish. As material depth, flow rate, particle size, and humidity increase, the magnetic field strength needs to be enhanced accordingly. The SMP magnet is widely used in recycling, cement, sand, gypsum, lime, brick, ceramic tile, glass, and mining industries. Installation is possible in either inline or cross-belt configurations. In inline installation, the separator is mounted above the head pulley of a belt conveyor. This installation method enhances the performance of the separator.

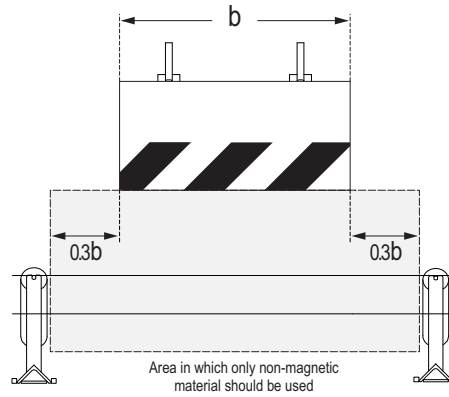
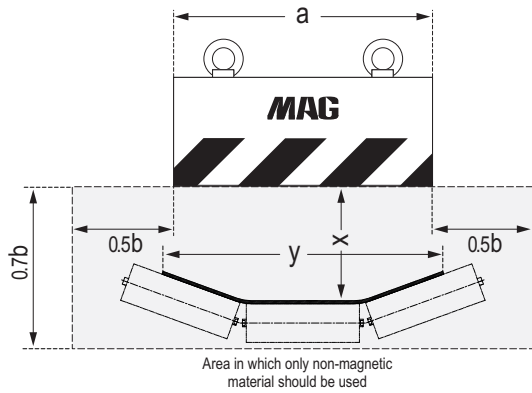


Advantages of the SMP suspension magnet

- Highly powerful, computer-designed permanent magnet
- No rectifier required
- No coils to burn-out
- No electrical cabling required for the magnet
- Zero power consumption
- No operational cost
- Maintenance-free
- Failure-free operation
- Eye bolts included for easy mounting
- Uniform and powerful magnetic field
- Cost-effective to purchase and operate
- Moisture, corrosion, and flame-resistant
- Fully stabilized and non-deteriorating
- Compact design
- Reduces manpower costs



SMP



Model	Max. Working Distance x	Belt Width y	Dimensions		Weight Approx. kg
			a	b	
	mm	mm	mm	mm	
SMP 125/40	125~175	400	430	290	82
SMP 125/50		500	530		101
SMP 125/60		600	630		120
SMP 125/70		700	735		138
SMP 125/80		800	840		159
SMP 125/90		900	940		178
SMP 125/100		1,000	1,040		197
SMP 150/40	150~200	400	430	380	161
SMP 150/50		500	530		199
SMP 150/60		600	630		237
SMP 150/70		700	735		276
SMP 150/80		800	840		314
SMP 150/90		900	940		352
SMP 150/100		1,000	1,040		390
SMP 175/40	175~225	400	430	460	191
SMP 175/50		500	530		236
SMP 175/60		600	630		281
SMP 175/70		700	735		327
SMP 175/80		800	840		372
SMP 175/90		900	940		417
SMP 175/100		1,000	1,040		463
SMP 175/110	1,100	1,145	508		
SMP 175/120	1,200	1,245	553		
SMP 175/130	1,300	1,350	598		
SMP 175/140	1,400	1,450	644		
SMP 200/40	200~250	400	430	560	241
SMP 200/50		500	530		298
SMP 200/60		600	630		355
SMP 200/70		700	735		411
SMP 200/80		800	840		469
SMP 200/90		900	940		526
SMP 200/100		1,000	1,040		584
SMP 200/110	1,100	1,145	641		
SMP 200/120	1,200	1,245	698		
SMP 200/130	1,300	1,350	755		
SMP 200/140	1,400	1,450	812		
SMP 225/60	225~275	600	630	680	580
SMP 225/70		700	740		676
SMP 225/80		800	840		768
SMP 225/90		900	950		866
SMP 225/100		1,000	1,040		955
SMP 225/110		1,100	1,140		1,048
SMP 225/120		1,200	1,245		1,142
SMP 225/130	1,300	1,350	1,237		
SMP 225/140	1,400	1,450	1,330		
SMP 250/60	250~300	600	630	730	622

Model	Max. Working Distance x	Belt Width y	Dimensions		Weight Approx. kg		
			a	b			
	mm	mm	mm	mm			
SMP 250/80	250~300	800	840	730	824		
SMP 250/90		900	938		925		
SMP 250/100		1,000	1,040		1,024		
SMP 250/110		1,100	1,144		1,125		
SMP 250/120		1,200	1,245		1,225		
SMP 250/130		1,300	1,347		1,325		
SMP 250/140		1,400	1,450		1,426		
SMP 250/150	1,500	1,550	1,526				
SMP 250/160	1,600	1,670	1,648				
SMP 250/170	1,700	1,760	1,744				
SMP 275/80	275~325	800	840	950	1,135		
SMP 275/100		1,000	1,040		1,411		
SMP 275/120		1,200	1,245		1,688		
SMP 275/140		1,400	1,450		1,966		
SMP 275/160		1,600	1,670		2,261		
SMP 300/80		300~350	800		840	970	1,341
SMP 300/90			900		938		1,512
SMP 300/100	1,000		1,040	1,667			
SMP 300/110	1,100		1,144	1,842			
SMP 300/120	1,200		1,245	1,994			
SMP 300/130	1,300		1,347	2,170			
SMP 300/140	1,400		1,450	2,322			
SMP 300/150	1,500	1,550	2,499				
SMP 300/160	1,600	1,670	2,701				
SMP 300/170	1,700	1,760	2,874				
SMP 300/180	1,800	1,880	3,029				
SMP 350/100	350~400	1,000	1,040	1,170	1,972		
SMP 300/110		1,100	1,144		2,179		
SMP 350/120		1,200	1,245		2,359		
SMP 350/130		1,300	1,347		2,568		
SMP 350/140		1,400	1,450		2,747		
SMP 350/150		1,500	1,550		2,956		
SMP 350/160		1,600	1,670		3,188		
SMP 350/170	1,700	1,760	3,394				
SMP 350/180	1,800	1,875	3,576				
SMP 350/190	1,900	1,960	3,736				
SMP 400/100	400~450	1,000	1,040	1,350	2,347		
SMP 400/110		1,100	1,144		2,592		
SMP 400/120		1,200	1,245		2,807		
SMP 400/130		1,300	1,347		3,054		
SMP 400/140		1,400	1,450		3,269		
SMP 400/150		1,500	1,550		3,516		
SMP 400/160		1,600	1,670		3,786		
SMP 400/170	1,700	1,760	4,029				
SMP 400/180	1,800	1,880	4,248				
SMP 400/190	1,900	1,960	4,489				