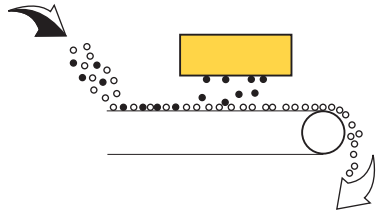


# SMP



SMP series, permanent suspension magnets, are powered by ceramic strontium ferrite magnets, and used for separation of tramp Iron within non magnetic materials to protect many kinds of Hydro cone, Crusher and Press Mill and other machineries and production lines to avoid damage and depreciation of turnout any Tramp Iron parts.

### Feature and Applications

SMP magnet usually suspends on material conveyor, Vibration Feeder or chute ducts. It can suspend by four sets adjusted wire rap and would be hung in 50-70 mm height above the top surface of material over the belt. the distance between the magnet and the material can be adjusted by means of turnbuckles.

The type, shape and size of the ferrite segments are affected in separation efficiency. Meanwhile separation of small parts, cubic or spherical shapes much difficult to accomplish. Besides increasing of material depth, passage rate, size and humidity the magnetic field has to reinforce. SMP magnet extremely utilizes in Recycling, Cement, Sand, Gypsum, lime, Brick, Ceramic tile, Glass and mine. "inline" or "cross-belt" installation is possible. When using "inline installation the separator is mounted above the head pulley of a belt conveyer. This kind of installation allows the use of less powerful magnets in most cases.

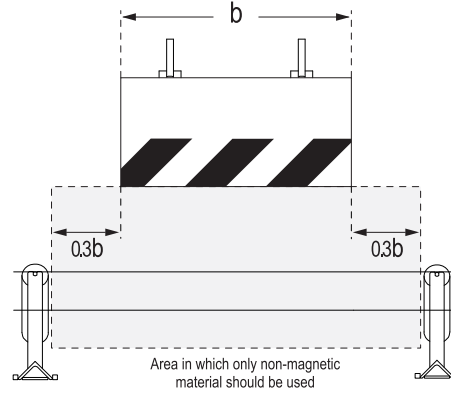
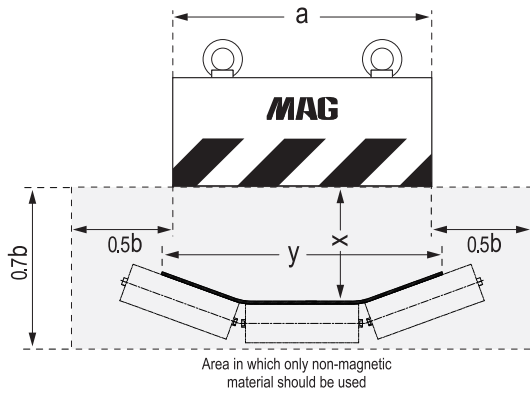


Advantages of the SMP suspension magnet :

- Extremely powerful computer designed permanent magnet
- No rectifier is required
- No coils to burn-out
- Electrical cabling required for magnet
- No power consumption
- No operative cost
- No maintenance
- No failure
- Eye bolts included for easy mounting
- Uniform powerfully
- Cheap to purchase and operation
- Magnet holds if power failed
- Moisture, corrosion and flame proof
- Fully stabilized and non-deteriorating
- Compact design
- Cutting manpower cost



# SMP



Model	Max. Working Distance x	Belt Width y	Dimensions		Weight Approx. kg
			a	b	
	mm	mm	mm	mm	
SMP 125/40	125~175	400	430	290	82
SMP 125/50		500	530		101
SMP 125/60		600	630		120
SMP 125/70		700	735		138
SMP 125/80		800	840		159
SMP 125/90		900	940		178
SMP 125/100		1,000	1,040		197
SMP 150/40		150~200	400		430
SMP 150/50	500		530	199	
SMP 150/60	600		630	237	
SMP 150/70	700		735	276	
SMP 150/80	800		840	314	
SMP 150/90	900		940	352	
SMP 150/100	1,000		1,040	390	
SMP 175/40	175~225		400	430	460
SMP 175/50		500	530	236	
SMP 175/60		600	630	281	
SMP 175/70		700	735	327	
SMP 175/80		800	840	372	
SMP 175/90		900	940	417	
SMP 175/100		1,000	1,040	463	
SMP 175/110		1,100	1,145	508	
SMP 175/120		1,200	1,245	553	
SMP 175/130		1,300	1,350	598	
SMP 175/140		1,400	1,450	644	
SMP 200/40		200~250	400	430	
SMP 200/50	500		530	298	
SMP 200/60	600		630	355	
SMP 200/70	700		735	411	
SMP 200/80	800		840	469	
SMP 200/90	900		940	526	
SMP 200/100	1,000		1,040	584	
SMP 200/110	1,100		1,145	641	
SMP 200/120	1,200		1,245	698	
SMP 200/130	1,300		1,350	755	
SMP 200/140	1,400		1,450	812	
SMP 225/60	225~275		600	630	680
SMP 225/70		700	740	676	
SMP 225/80		800	840	768	
SMP 225/90		900	950	866	
SMP 225/100		1,000	1,040	955	
SMP 225/110		1,100	1,140	1,048	
SMP 225/120		1,200	1,245	1,142	
SMP 225/130		1,300	1,350	1,237	
SMP 225/140		1,400	1,450	1,330	
SMP 250/60		250~300	600	630	

Model	Max. Working Distance x	Belt Width y	Dimensions		Weight Approx. kg
			a	b	
	mm	mm	mm	mm	
SMP 250/80	250~300	800	840	730	824
SMP 250/90		900	938		925
SMP 250/100		1,000	1,040		1,024
SMP 250/110		1,100	1,144		1,125
SMP 250/120		1,200	1,245		1,225
SMP 250/130		1,300	1,347		1,325
SMP 250/140		1,400	1,450		1,426
SMP 250/150		1,500	1,550		1,526
SMP 250/160		1,600	1,670		1,648
SMP 250/170		1,700	1,760		1,744
SMP 275/80	275~325	800	840	950	1,135
SMP 275/100		1,000	1,040		1,411
SMP 275/120		1,200	1,245		1,688
SMP 275/140		1,400	1,450		1,966
SMP 275/160		1,600	1,670		2,261
SMP 300/80		300~350	800		840
SMP 300/90	900		938	1,512	
SMP 300/100	1,000		1,040	1,667	
SMP 300/110	1,100		1,144	1,842	
SMP 300/120	1,200		1,245	1,994	
SMP 300/130	1,300		1,347	2,170	
SMP 300/140	1,400		1,450	2,322	
SMP 300/150	1,500		1,550	2,499	
SMP 300/160	1,600		1,670	2,701	
SMP 300/170	1,700		1,760	2,874	
SMP 300/180	1,800		1,880	3,029	
SMP 350/100	350~400		1,000	1,040	1,170
SMP 300/110		1,100	1,144	2,179	
SMP 350/120		1,200	1,245	2,359	
SMP 350/130		1,300	1,347	2,568	
SMP 350/140		1,400	1,450	2,747	
SMP 350/150		1,500	1,550	2,956	
SMP 350/160		1,600	1,670	3,188	
SMP 350/170		1,700	1,760	3,394	
SMP 350/180		1,800	1,875	3,576	
SMP 350/190		1,900	1,960	3,736	
SMP 400/100	400~450	1,000	1,040	1,350	2,347
SMP 400/110		1,100	1,144		2,592
SMP 400/120		1,200	1,245		2,807
SMP 400/130		1,300	1,347		3,054
SMP 400/140		1,400	1,450		3,269
SMP 400/150		1,500	1,550		3,516
SMP 400/160		1,600	1,670		3,786
SMP 400/170		1,700	1,760		4,029
SMP 400/180		1,800	1,880		4,248
SMP 400/190		1,900	1,960		4,489



MAG Develop Pty Ltd

www.mag-magnetics.com